

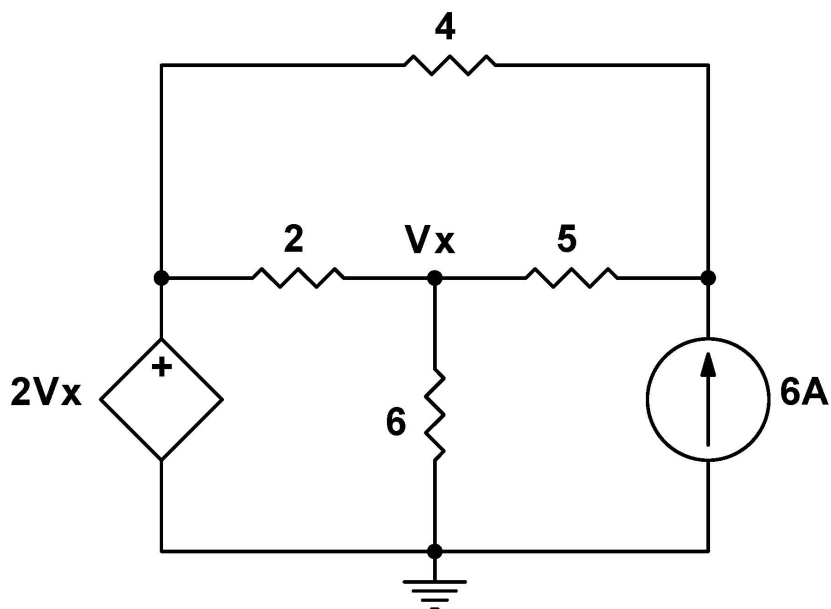
# ECE 2350 CIRCUIT ANALYSIS I

Homework 5  
20 February 2020

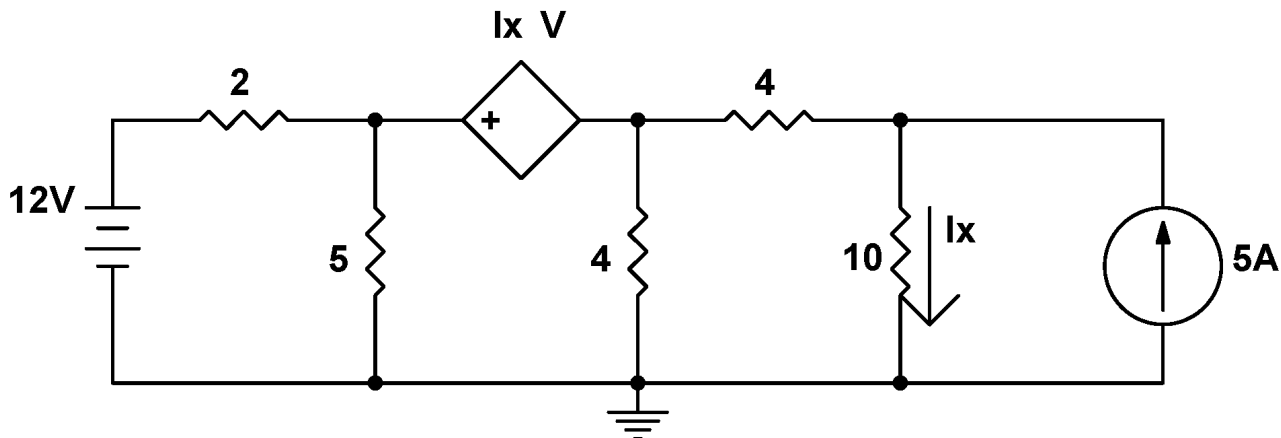
Professor Dunham  
Due: 27 February 2020

Review Lecture Notes.

1. Use a loop analysis to find the power dissipated in the  $4\Omega$  resistor of the circuit below.



2. Use a nodal analysis to find the power (absorbed or released) by the independent sources in circuit below. Note that the dimension of  $I_x$  for the dependent voltage source is volts.



3. Find the power dissipated in the  $8\text{K}\ \Omega$  resistor in the circuit below.

- (a) Use a loop analysis.
- (b) Use a nodal analysis.

